

MATERIAL:

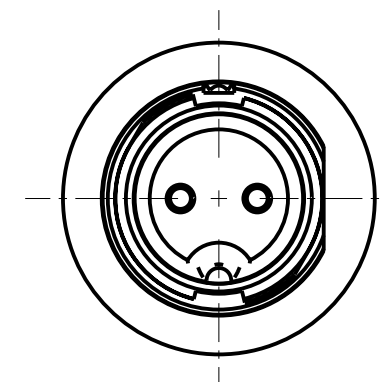
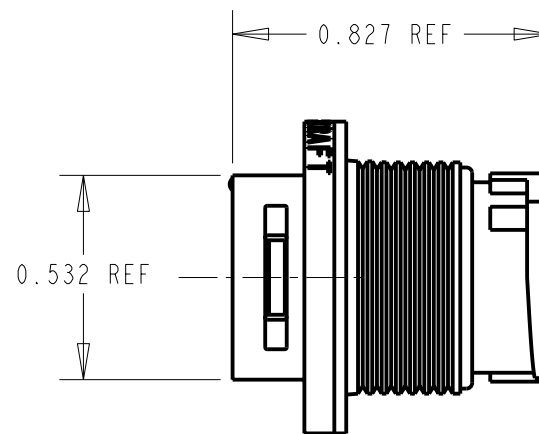
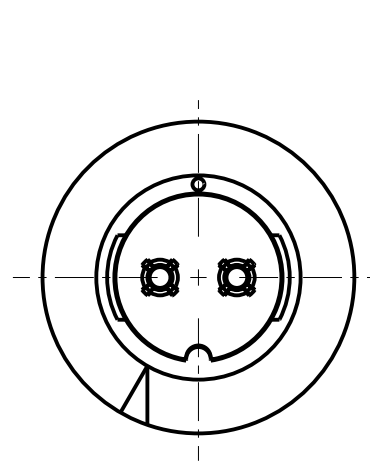
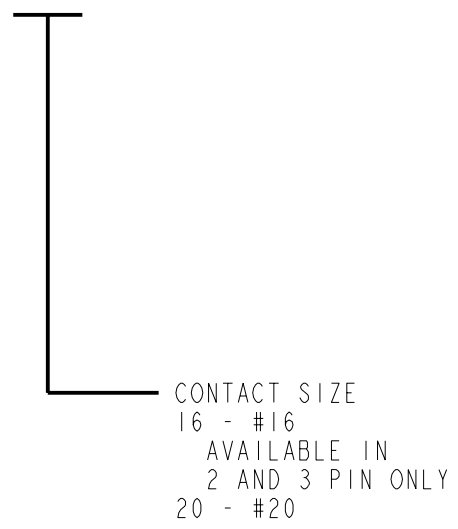
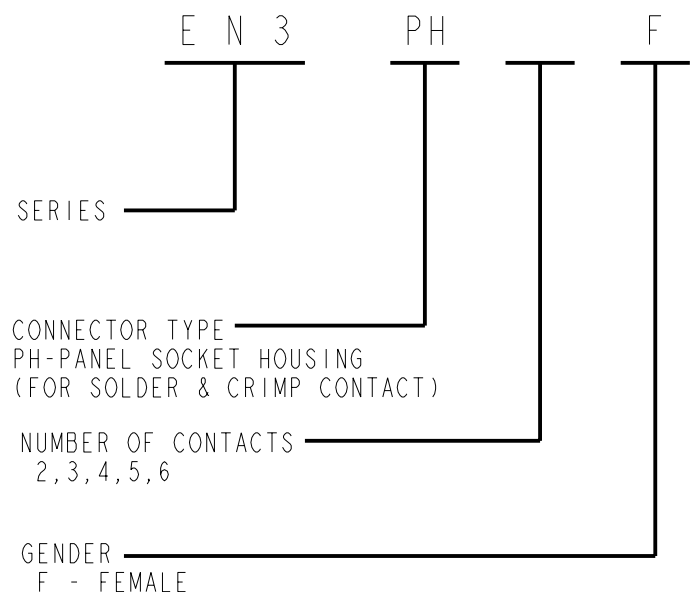
CONNECTOR HOUSING:
 CONNECTOR SHELL- THERMOPLASTIC POLYMER
 GLASS FIBER, FLAME RETARDANT
 CONNECTOR INTERIOR- THERMOPLASTIC RUBBER
 LOCKING DISC: THERMOPLASTIC POLYMER
 GLASS FIBER, FLAME RETARDANT

NOTE:

1. LOCKING DISC ASSEMBLED TO HOUSING.

CONTACT ARRANGEMENTS

SHOWN ARE REAR VIEWS OF FEMALE PANEL CONNECTORS



CUSTOMER DRAWING

REV	ECO NUMBER	DATE	BY	APVD
B	22232	4-24-98	SG	RB
A	ECO #21183	10-8-96	MM	RB
REVISIONS				

★ STAR SYMBOL DENOTES CRITICAL DIMENSION

UNLESS OTHERWISE SPECIFIED

1. ALL DIMENSIONS IN INCHES
 - TWO PLACE DECIMALS ±0.01
 - THREE PLACE DECIMALS ±0.005
 - ANGLES ±1°
 - ALL DIA. CONCENTRIC WITHIN 0.005 T.I.R.

2. FEATURES ON THE SAME CENTERLINE MUST BE ALIGNED WITHIN ±0.002

3. REMOVE ALL BURRS

DO NOT SCALE DRAWING

THIS DRAWING DESCRIBES A DESIGN CONSIDERED PROPRIETARY IN NATURE, DEVELOPED AND MANUFACTURED BY SWITCHCRAFT INC. AND IS RELEASED ON A CONFIDENTIAL BASIS FOR IDENTIFICATION PURPOSES ONLY.

SIZE	WIDTH	MULT	LBS/M	TEMPER
FINISH				
SPEC No.			MATERIAL SPEC No.	
FIRST USED ON		SCALE 2:1		
DATE DRAWN	BY	CHKD	APVD	
8-Oct-96	MM	RB 10-8-96	RB 10-8-96	
NAME				PART No.
PANEL SOCKET				EN3PH_F
				REV B